

# Bumpers

**Protection bumpers** are essential for the durability of the transport vehicle and the cargo area. Allow to cushion the usual bumps that occur in the dock during the approach operations of the truck, protecting the coats or even the facade. In turn, it serves to protect the rear of the trucks and prevent them from being damaged.

They stand out for their **strength and durability**, which is why they are manufactured using materials affected to withstand and absorb the impacts of trucks. At Alapont Logistics we have several **models of protection stops: steel, rubber, square and mobile**.

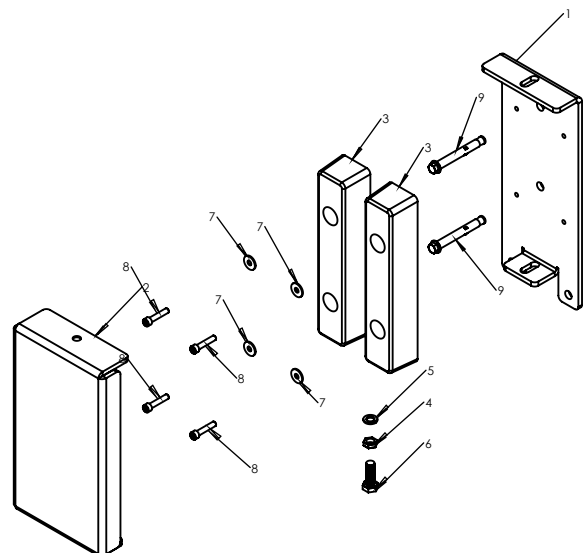
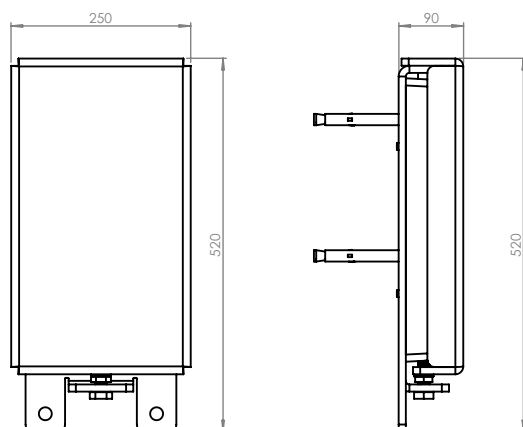


## Steel bumper

The Alapont steel bumper consists of a **0,5" steel** plate surface that inside **contains 2 rubber stops**, independent of each other, thereby giving maximum stability and safety at the moment of contact with the HGV.

## Characteristics

- ✓ 0,5" sheet steel.
- ✓ 2 independent rubber stops.
- ✓ Dimensions: 16 x 10 x 4 ".
- ✓ Ref: 0701A0105000.
- ✓ Ready to be weld or screw.
- ✓ Rustproofing and cold galvanized.



## Mobile steel bumper

This is a **metal stop that can move vertically** in tune with the transport vehicle, thanks to the spring inside. The main advantage is that it significantly **reduces the wear of the stop** by reducing friction with the vehicle.

### Characteristics

- ✓ 12mm sheet steel.
- ✓ 2 independent rubber stops.
- ✓ Dimensions: 20 x 10 x 4 “.
- ✓ Ref: 0701A0103000.
- ✓ Ready to be weld or screw.
- ✓ Rustproofing and cold galvanized.
- ✓ Bumper compression spring.



## Bumper square

The **Alapont square rubber stop** consists of a rear support of galvanized steel and a surface of tough black rubber.

### Characteristics

- ✓ Dimensions: 10 x 10 x 4 “.
- ✓ Ref: 01010101050.
- ✓ Ready to be weld or screw.
- ✓ Rustproofing and cold galvanized.



## Rubber bumper

The **Alapont rubber bumper** is highly resistant. This is the classic and most commonly used HGV stop in basic standard installations.

### Characteristics

- ✓ Dimensions: 3 x 20 x 3”.
- ✓ Ref: 0101A0101027.
- ✓ Ready to be weld or screw.

